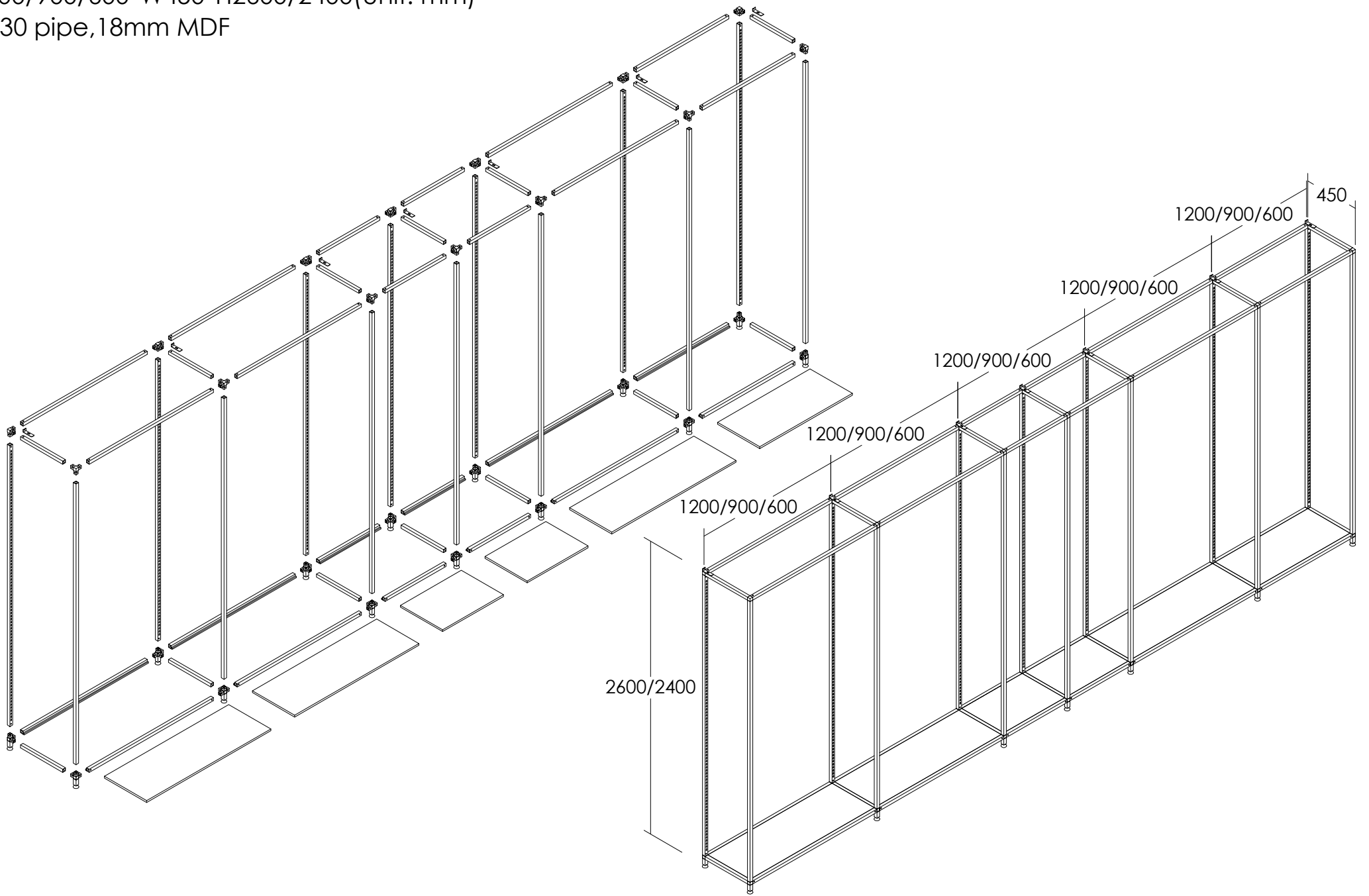


Metal Frame
 L/1200/900/600*W450*H2600/2400(Unit: mm)
 30 * 30 pipe, 18mm MDF

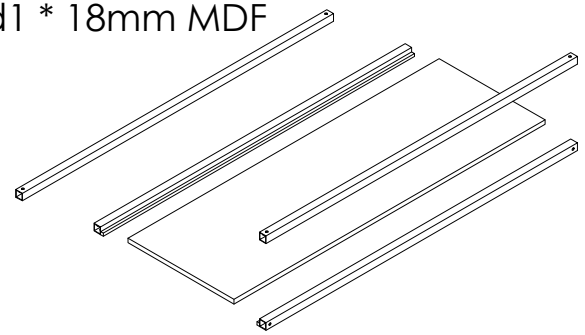


1. Left Frame
 H=2600/2400(Unit: mm)
 30 * 30 pipe

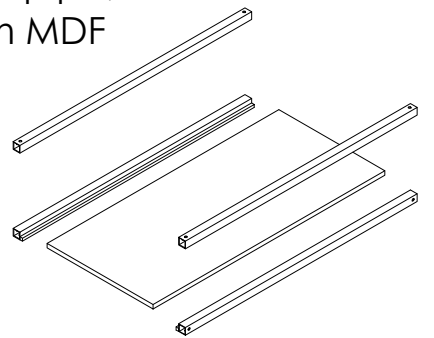
2. Middle Frame
 H=2600/2400(Unit: mm)
 30 * 30 pipe

3. Right Frame
 H=2600/2400(Unit: mm)
 30 * 30 pipe

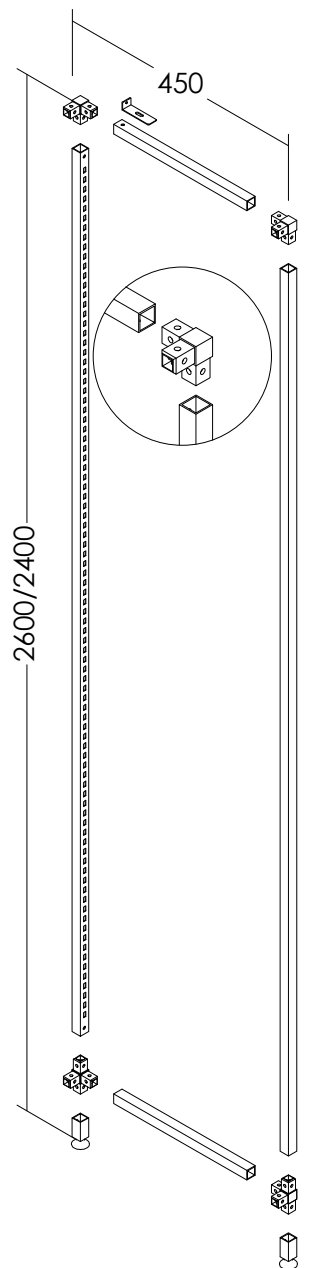
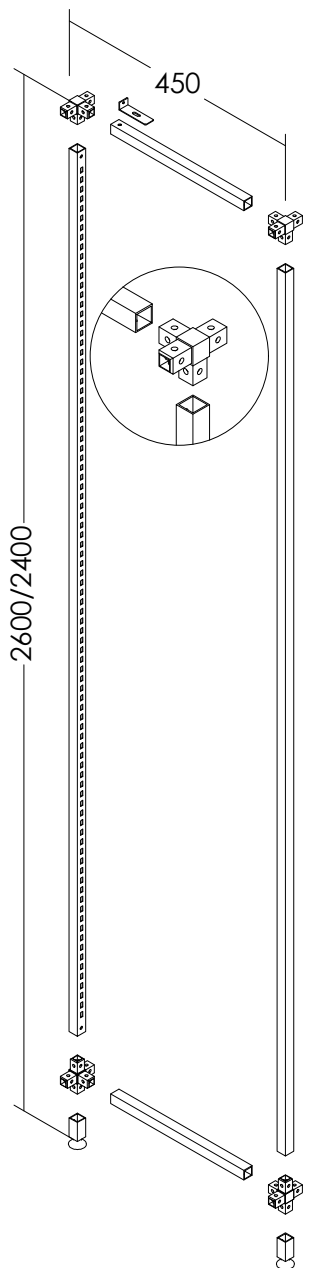
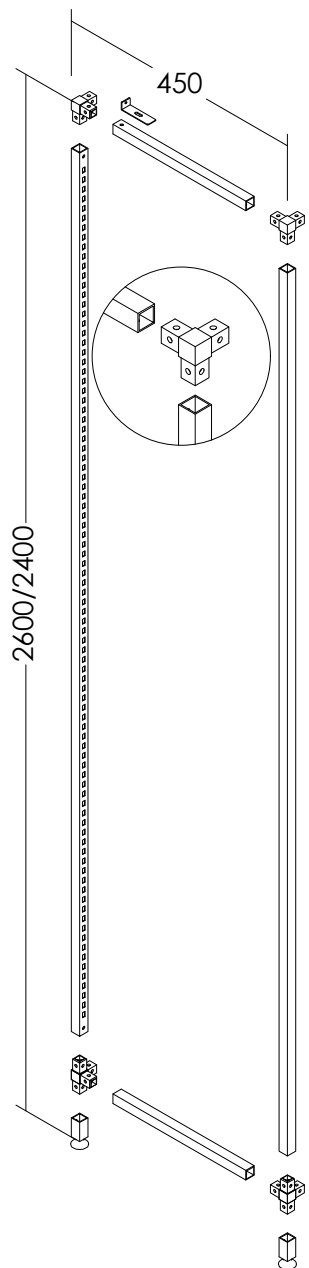
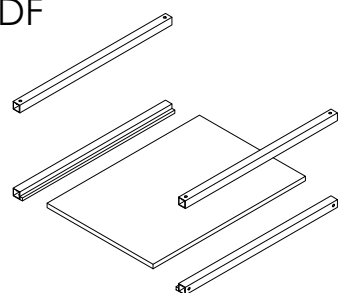
4. L1200 Connecting Tube and Base Board:
 (Unit: mm) L=1170
 Connecting Tube 4 * 30 * 30 pipe, L=1170
 Base Board 1 * 18mm MDF



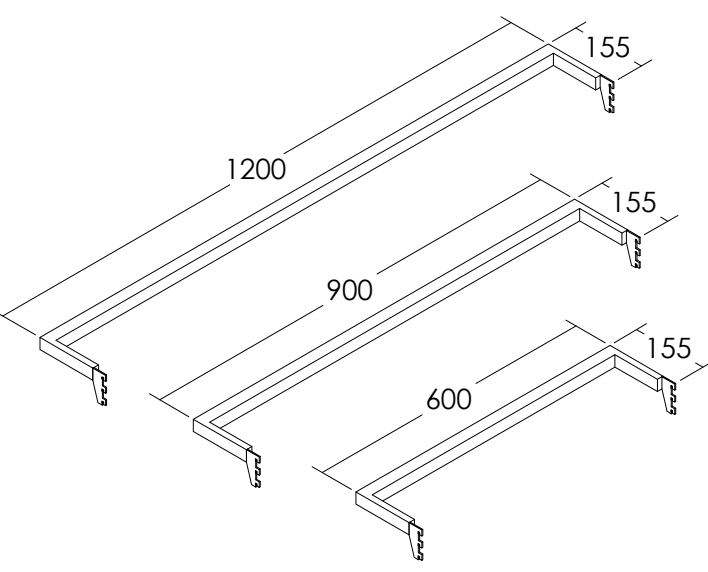
4. L900 Connecting Tube and Base Board:
 (Unit: mm) L=870
 Connecting Tube 4 * 30 * 30 pipe, L=870
 Base Board 1 * 18mm MDF



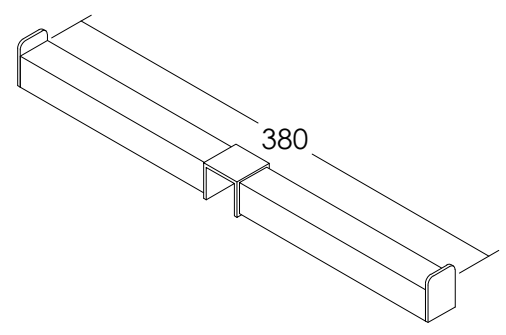
4. L600 Connecting Tube and Base Board:
 (Unit: mm) L=570
 Connecting Tube 4 * 30 * 30 pipe, L=570
 Base Board 1 * 18mm MDF



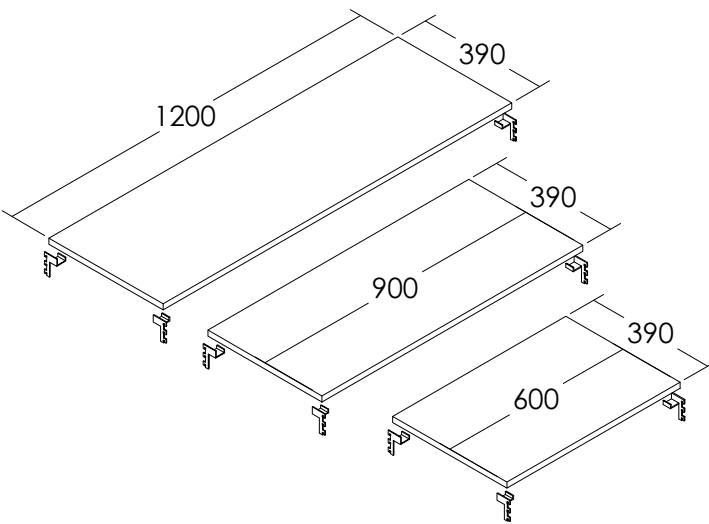
5. Front/Side Hanging Rail
L=1200/900/600(Unit: mm) 25 * 25 pipe



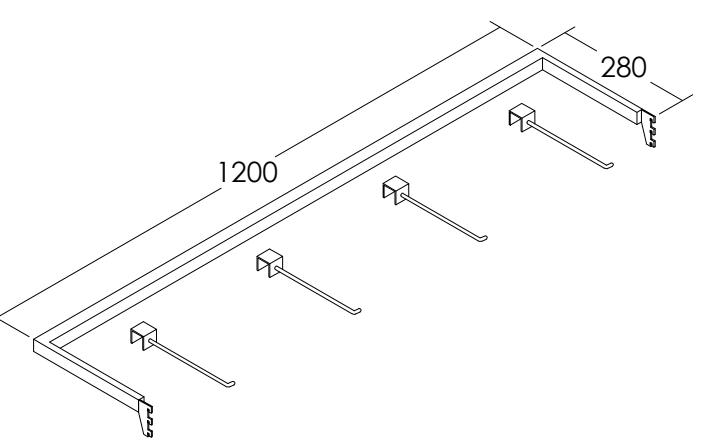
6. Double Sides Hook
L=380(Unit: mm) 25 * 25 pipe



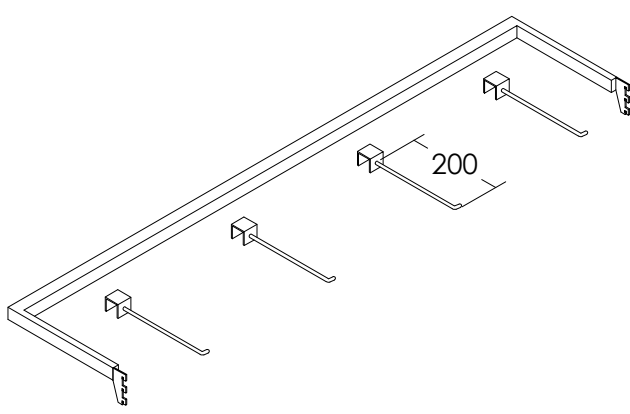
7. Shelf with Bracket
L=1200/900/600(Unit: mm) 18mm MDF



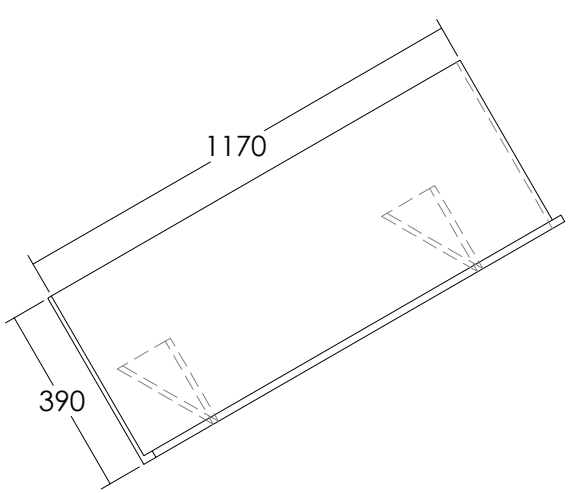
8. Hanging Rail for Accessories
L=1200(Unit: mm) 25 * 25 pipe



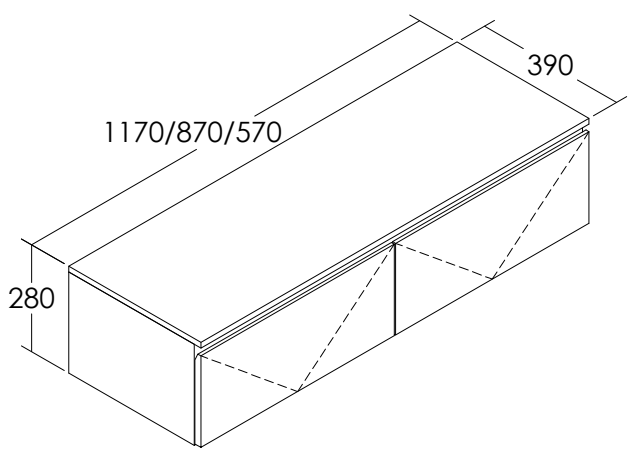
9. Hook for Accessories
L=200(Unit: mm) 6mm iron branch



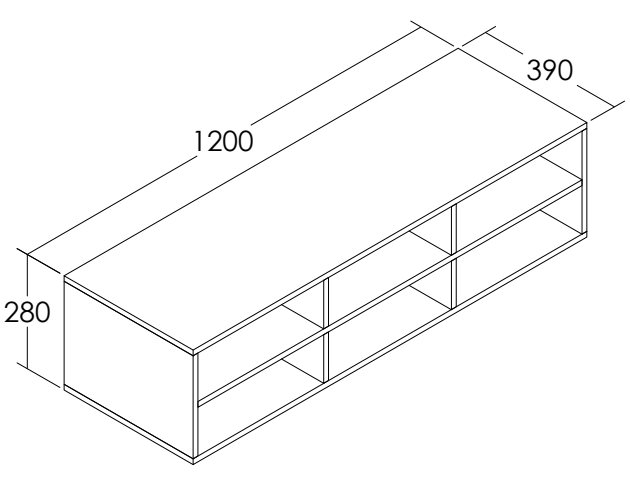
10. Tray for Shirt
L=1170(Unit: mm) 18mm MDF



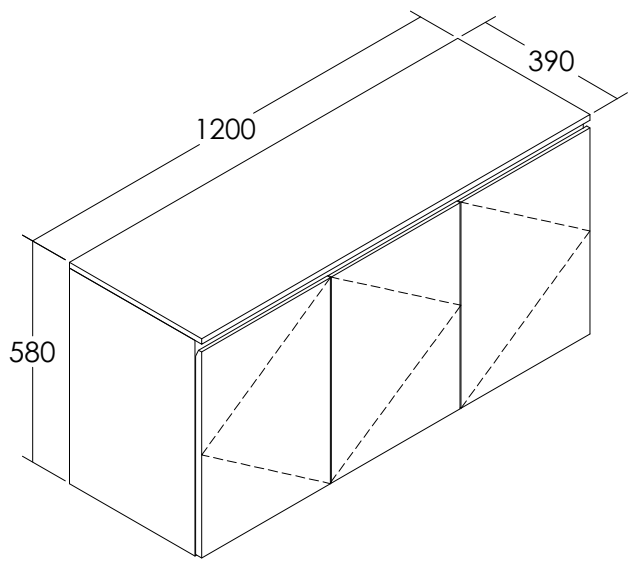
11. Low Base Cabinet
L=1170/870/570(Unit: mm) 18mm MDF



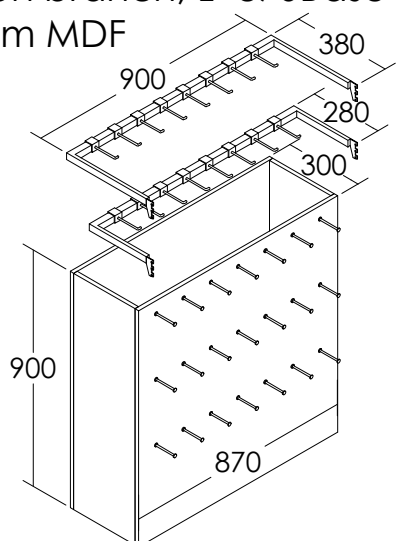
12. Pigeonhole Bin Unit
L=1200(Unit: mm) 15mm MDF



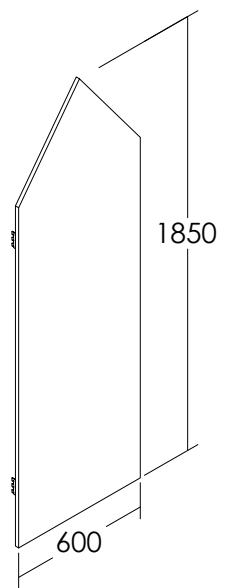
13. High Base Cabinet
L=1200(Unit: mm) 18mm MDF



14. Belt Display Cabinet
Combination(Unit: mm) L=900Hanging Rail 2 * 25 * 25 pipe, L=100Hook 16 * 6mm iron branch, L=870Base Cabinet 1 * 18mm MDF



15. Triangular Back Panel
L=600(Unit: mm) 18mm MDF



16. Advertising Board
L=1200(Unit: mm) 2.5mm iron plate

